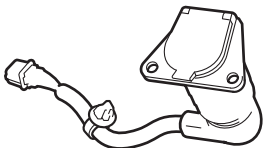
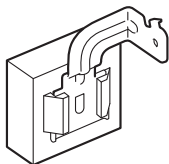
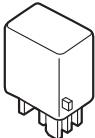
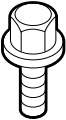
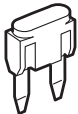
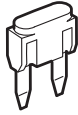

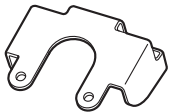


<b>Accessory</b> <b>TRAILER HARNESS</b> <b>P/N 08L91-SJC-100C</b>	<b>Application</b> <b>2014 RIDGELINE</b>	<b>Publications No.</b> <b>All 50365</b>
		<b>Issue Date</b> <b>AUG 2013</b>

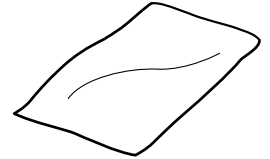
## PARTS LIST

- Trailer socket harness 
  
- Control unit 
  
- 2 Relays 
  
- 6 Flange bolts, 6 x 16 mm 
  
- 3 Fuses 20A 
  
- 2 Fuses 7.5A 
  
- Connector clip 
  
- Socket bracket 

3 Rivet nuts, 6 mm



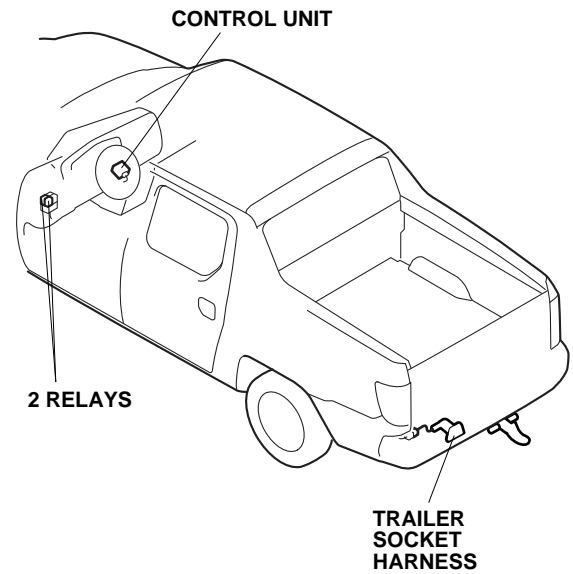
Subharness kit



## TOOLS AND SUPPLIES REQUIRED

- Phillips screwdriver
- Flat-tip screwdriver
- Diagonal cutters
- Ratchet
- 10 mm Socket
- 10 mm Combination wrench
- Hex wrench
- Rivet nut tool
- 19 mm Wrench

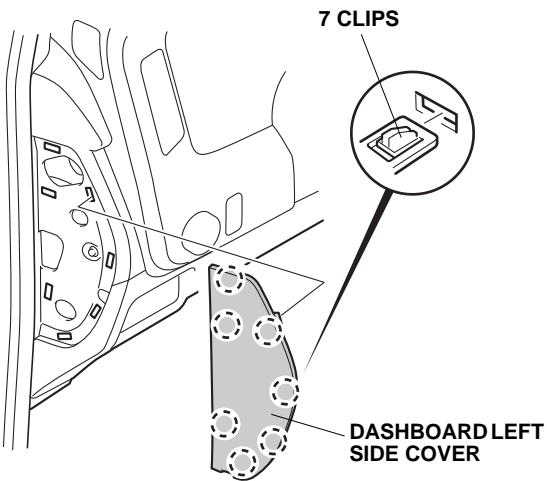
## Illustration of the Trailer Harness on the Vehicle



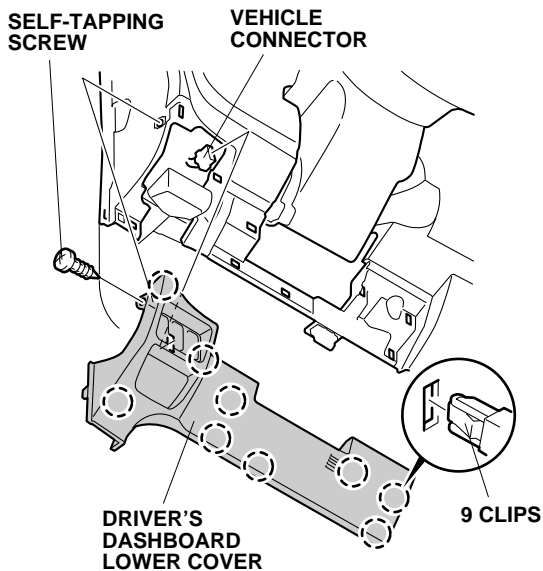
## INSTALLATION

**Customer Information:** The information in this installation instruction is intended for use only by skilled technicians who have the proper tools, equipment, and training to correctly and safely add equipment to your vehicle. These procedures should not be attempted by “do-it-yourselfers.”

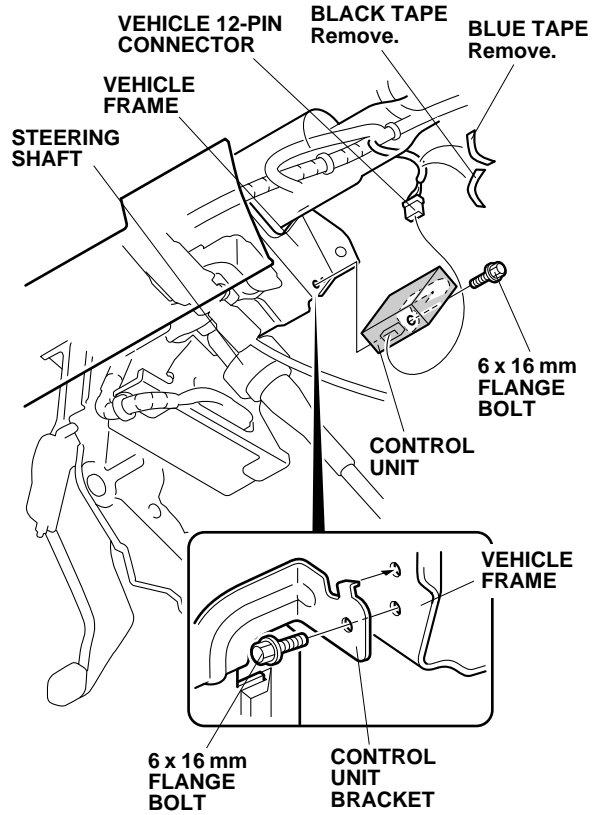
1. Make sure you have the anti-theft code for the audio and navigation system (if equipped).
2. Disconnect the negative cable from the battery.
3. Remove the dashboard left side cover (seven clips).



4. Remove the driver's dashboard lower cover (one self-tapping screw, nine clips, unplug one vehicle connector).

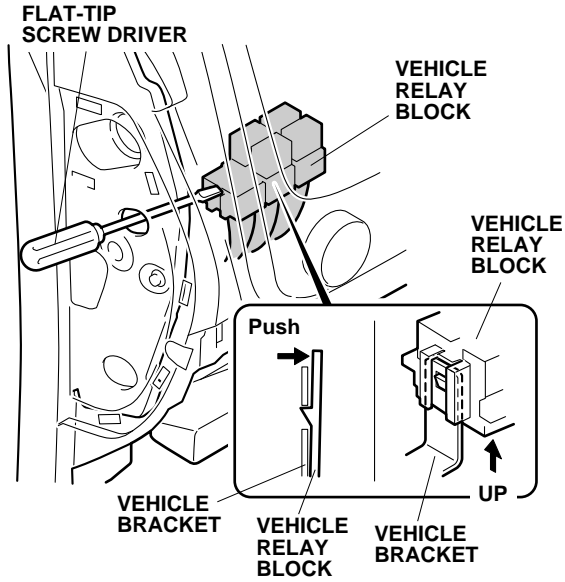


5. Under the dashboard on the driver's side of the vehicle, install the control unit bracket to the vehicle frame with one 6 x 16 mm flange bolt.

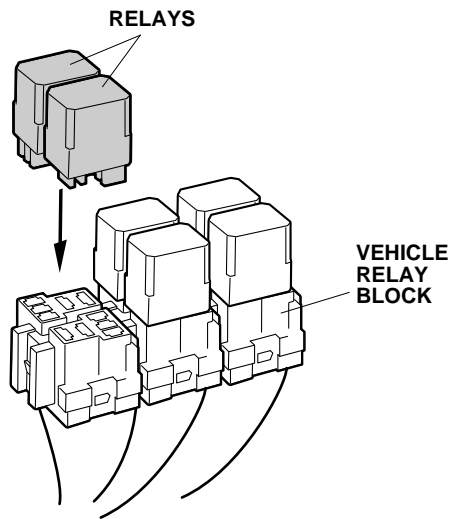


6. On the right side of the steering shaft, locate the vehicle 12-pin connector blue-taped and black-taped to the vehicle harness, and remove the blue tape and black tape to free the connector.
7. Plug the vehicle 12-pin connector into the control unit 12-pin connector.

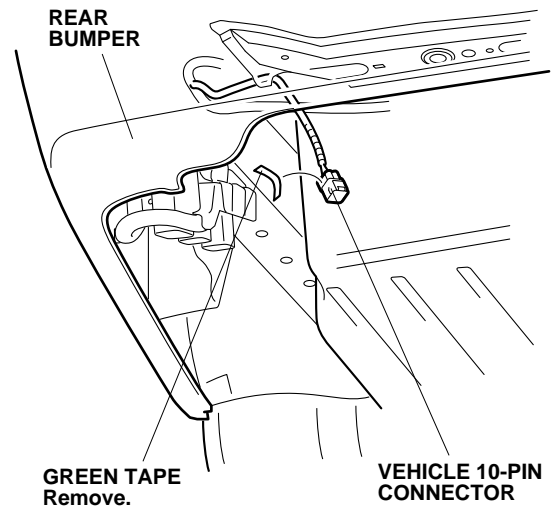
- Using a flat-tip screwdriver through the hole in the side of the dashboard, remove the vehicle relay block as shown.



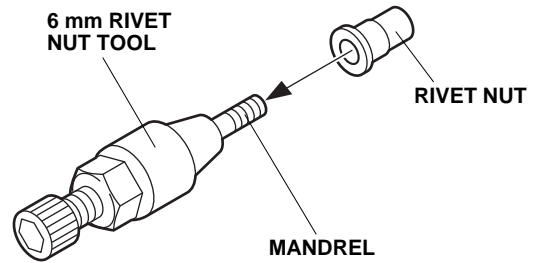
- Plug the two relays into the vehicle relay block, and reinstall the vehicle relay block.



- Under the rear bumper on the left side, remove the green tape from the connector and pull on the harness to free the vehicle 10-pin connector.

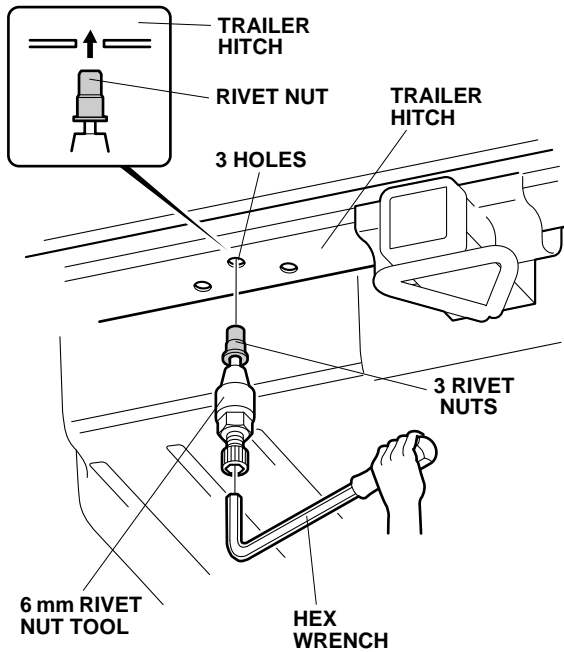


- Thread the rivet nut onto the mandrel of the 6 mm rivet nut tool as shown.

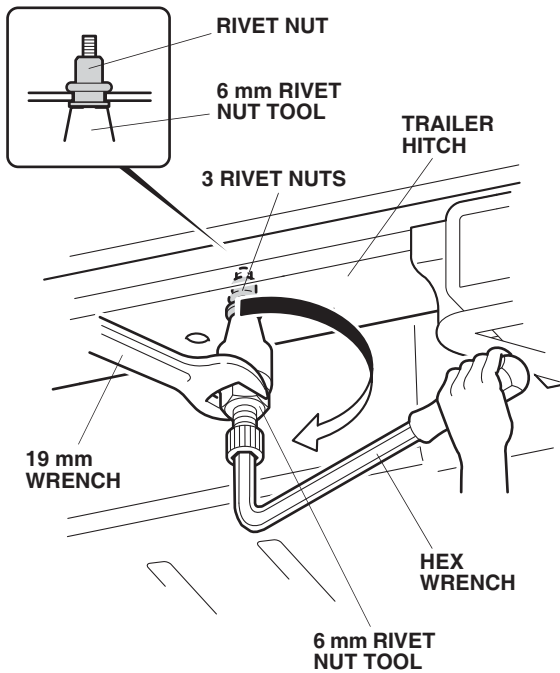


- Insert the rivet nut into the hole in the trailer hitch, and insert the hex wrench in the 6 mm rivet nut tool.

NOTE: Rivet nuts may be a tight fit into the vehicle holes. If they do not slide in easily, use a hammer to tap them into place.

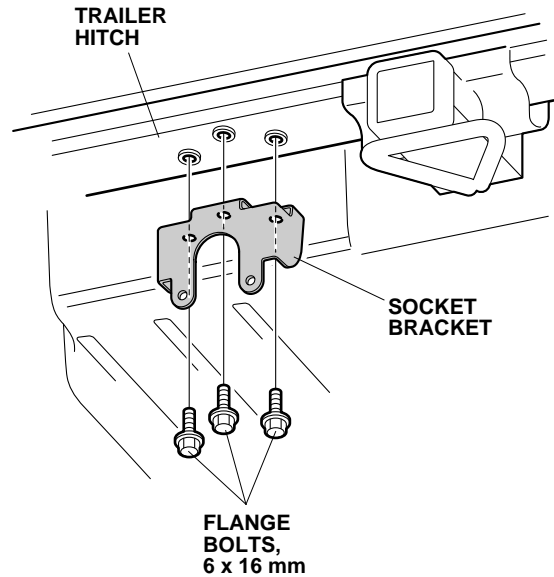


- Holding the 6 mm rivet nut tool with the hex wrench, turn the 19 mm wrench clockwise and install the rivet nut to the trailer hitch.

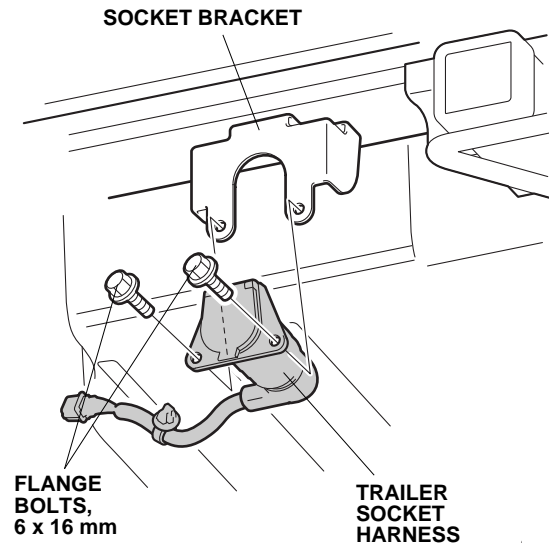


- Remove the 6 mm rivet nut tool from the rivet nut by turning the hex wrench counterclockwise. Install rivet nuts into the two remaining holes in the trailer hitch.

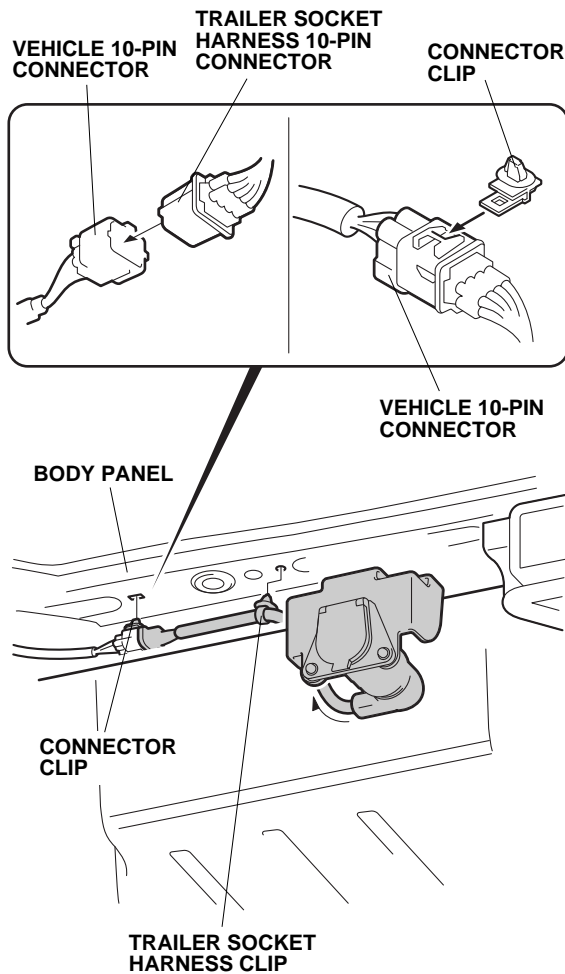
- Install the socket bracket to the trailer hitch with three 6 x 16 mm flange bolts.



- Install the trailer socket harness to the socket bracket with two 6 x 16 mm flange bolts.

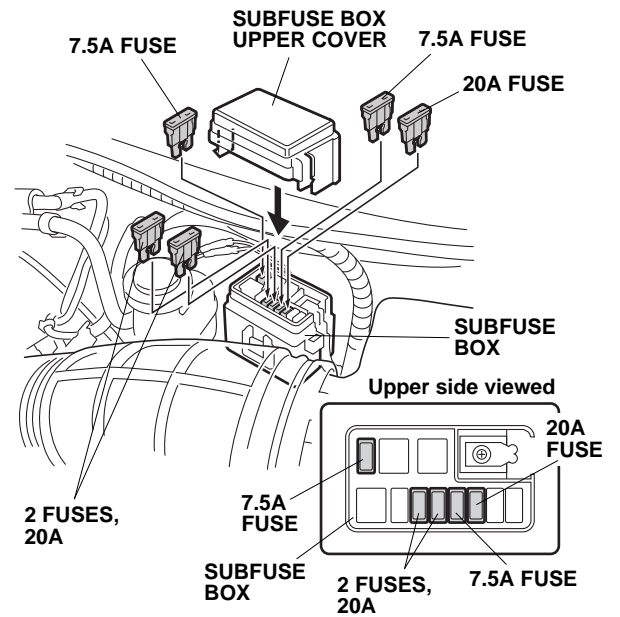


17. Plug the trailer socket harness 10-pin connector into the vehicle 10-pin connector.



18. Install the connector clip into the vehicle 10-pin connector, and push the connector clip and trailer socket harness clip into the holes in the body panel.

19. Under the hood, remove the subfuse box upper cover, and install the three 20A fuses and two 7.5A fuses into the receptacles in the subfuse box. Reinstall the subfuse box upper cover.



20. Check that all wire harnesses are routed properly and all connectors are plugged in.
21. Reinstall all removed parts. Check that all clips and fasteners are installed securely.
22. Reconnect the negative cable to the battery.
23. Reset the clock, and reset the radio station presets.
24. Put the subharness kit in the glove box.

**Put a Copy of This Page in the Glove Box for Your Customer**

**Subharness for Electric Brake Controller**

This subharness adapts an electric trailer brake controller to your vehicle. Have a qualified mechanic install your trailer brake controller following the trailer brake controller manufacturer's instructions. For more information, refer to "Towing a Trailer" in your vehicle owner's manual.

